

www.shvalve21.co.kr

SHINHUNG

Valves Product System

Customer oriented / Technology first / Custom-made / Going to future **Shinhung Valve**



Shinhung Valves Co., Ltd.

Build the Great

Shinhung Valve will become the leader of valve industry.

Shinhung Valve which is emphasis on faith and trust has been trying for satisfying customer's various needs through continuous R&D and quality improvement.



 (주) 신홍밸브



CONTENTS

06 _ Pressure Reducing Valves	23 _ Water Sink Valve
08 _ Faucets (KS B 2331)	24 _ Sink Header
10 _ Auto Air Vent For Water (KS B 2373)	24 _ Service Socket
11 _ Three One Air Vent	24 _ Ring Joint Adapter
12 _ Right Angle Ball Valve	25 _ Anti-Reverse Valve For Water Supply
14 _ Multi Angle Ball Valve	26 _ Ball Valve 10K 20K
16 _ Union Elbow	27 _ SU Ball Valve 10K 20K
17 _ Multi Union Elbow	28 _ Multi SU Ball Valve
18 _ Water Hammer Arrester	29 _ Union Ball Valve
19 _ Faucets (KS B 2331)	30 _ Boiler Plumbing System
20 _ System Header For Water	31 _ Water Pressure Header
22 _ Multi Water Meter System	32 _ Water Link
22 _ Plumbing Sleeve Fixed Board And Fixed Plate	32 _ A Hydraulic Press
23 _ Multi Sink Header	33 _ Integrated Holding System

Pressure Reducing Valves

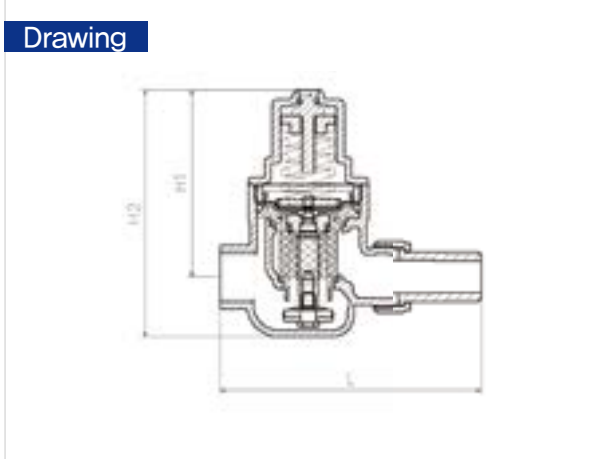
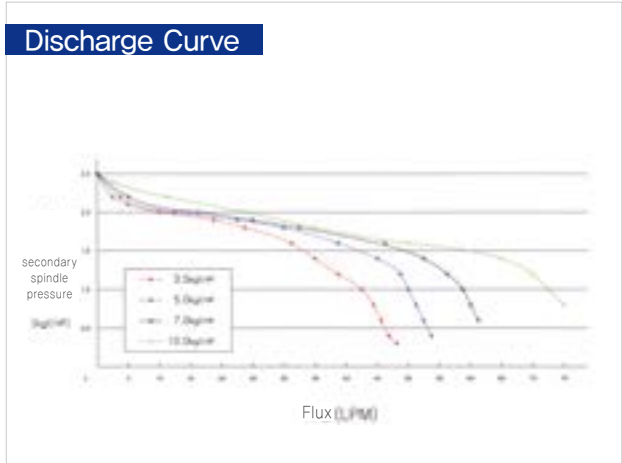
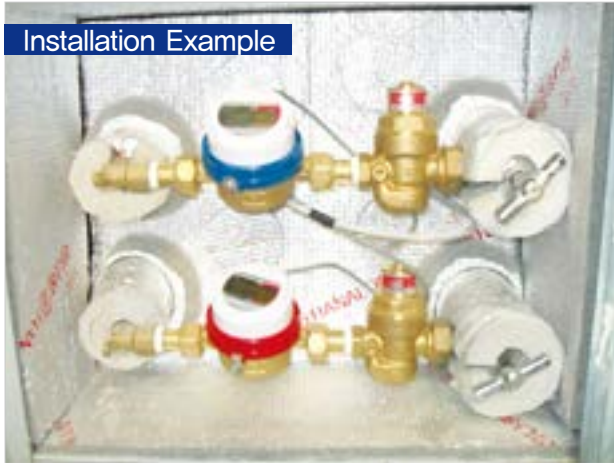


■ Feature

- It is easy to use, handy and wide choice under any circumstances with various types of models.
- It is easy to install by diverse change on requests from the field such as union type and socket type which are convenient for plumbing work.
- It can avoid malfunction of water gauge by prevention of water back flow with the built-in check function. (Optional)
- It can avoid malfunction from foreign object by installing internal screen.
- Diaphragm has excellent durability by inserting special nonwovens into "EPDM" material and no deformation by high temperature (under 100°C).
- It resolved disadvantage of assembled reducing valve by simplifying connection and separation of water angle valve and reducing valve and is easy to maintenance management.

■ Specification

Model		PRV-102	PRV-102L	PRV-202	PRV-402	PRV-502
Applied Fluid		Water				
Applied Pressure		MAX. 1MPa				
Applied Temperature		MAX. 80°C				
Scope of Pressure Control		50~500 KPa				
Minimum Operating Pressure Differential		50 KPa				
Pressure Test		2MPa				
Main Material	BODY	CAST BRASS(NPB / DR)				
	COVER	CAST BRASS				
	DIAPHRAGM	E. P. D. M.				
	SEAT	STS 304				
	SCREEN	STS 304				



Installation Method

1. Reducing valve should be installed after removing foreign object clearly from pipe.
2. It can be operated well with prevent turbulent phenomenon by place straight throat at front and backside of valve.
3. Manual shutoff valve should be installed in front of reducing valve for the emergency

Pressure Control Method

Pressure valve would be released with previously set of secondary spindle pressure as request of orderer so that it has no need to be set pressure particularly, but in case of adjust with necessary, secondary pressure will be high with turning adjust volt (adjust handle) as clock-wise rotation, and will be low with turning adjust volt (adjust handle) as counterclockwise rotation.

Dimension

Model	SIZE	L	H1	H2	PT
PRV-102	15A	110	75	100	1/2
	20A	110	75	100	3/4
PRV-102L	15A	110	80	110	1/2
	20A	110	105	130	1/2
PRV-202	15A	110	75	100	1/2
	20A	110	105	130	3/4
PRV-402	15A	110	75	100	1/2
PRV-502	15A	130	75	100	1/2

Fault Diagnosis and Treatment Method

Problem	Cause	Treatment method and measure
Low volume of water supply	Strainer is plugged up	Clean the strainer in pipe and valve
	Disorder of pressure control of valve	Readjust pressure
The secondary spindle pressure is low	The first spindle pressure is low	The first spindle pressure should be higher than the secondary spindle pressure
	Disorder of control spring	Replacement of spring after inspecting damage of spring
A fluid does not flow	Direction of the installation is wrong	Tune direction of a fluid to direction of an arrow
	Set pressure is low or control bolt get loose	Readjust pressure
Rising of the secondary spindle pressure	Disorder of diaphragm	Replacement after inspecting damage
	Insertion of foreign object in Disc Seat	Removal of foreign object in Disc Seat after inspection
	Damage of Disc Sea	Replacement of Disc Seat after inspection, For damage
	Abrasion of O-Ring	Replacement of O-ring after inspecting for damage and abrasion
Leaking of Spring case	Damage of diaphragm	Replacement after inspection for damage
	Damage of spring case	Replacement after inspection for damage



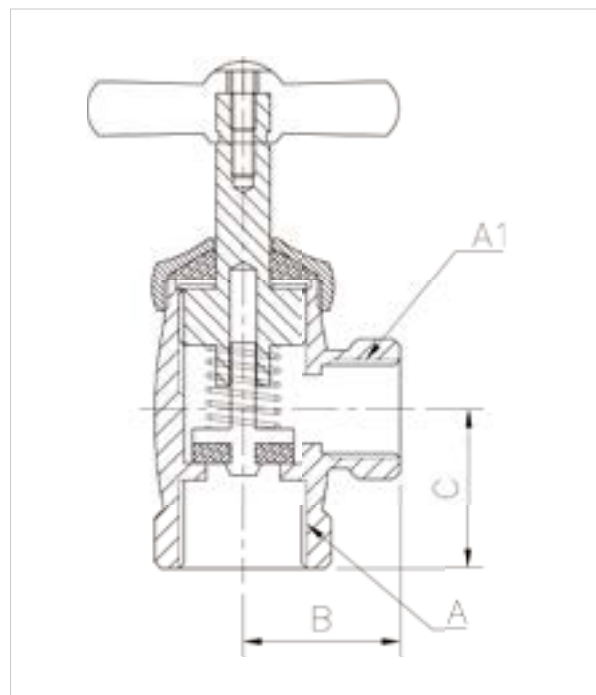
■ Feature

- No corrosion due to Ni-Cr plating and elegant appearance
- Spring can be fixed on Disc. (Optional)
- It is possible to adjust length of pipe for SU pipe type.
- It is easy to operate with cross handle.

■ Specification


Model	WAV-101 WAV-201 WAV-202 WAV-203 WAV-204 WAV-301 WAV-302 WAV-402
Applied Fluid	Cold and hot water
Applied Pressure	1MPa
Applied Temperature	Max 80°C
Water Pressure Test	1.75MPa
Main Material	BODY CAST BRASS
	CAP FORGED BRASS
	SPINDLE BRASS
	HANDLE ABS

■ Cross Section

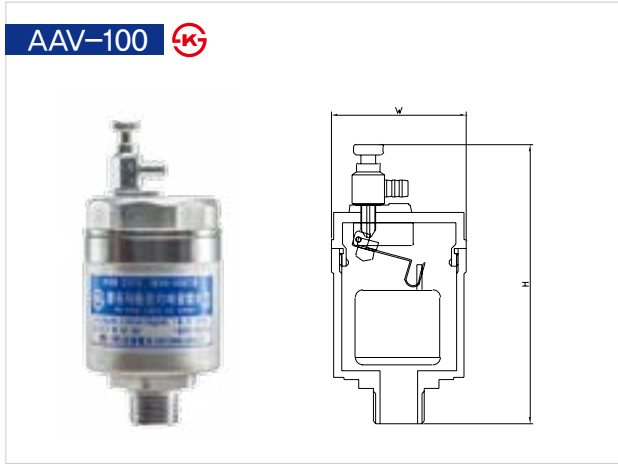




■ Dimension

Model	SIZE	A	A1	B	C
WAV-101 	15A	PT1/2	PT1/2	25	25
	20/15A	PT3/4	PT1/2	30	30
	20A	PT3/4	PT3/4	35	35
WAV-201	15A	PB	PF3/4	35	40
	20/15A	PB	PF3/4	35	35
WAV-202	15A	SU	PF3/4	35	40
	20/15A	SU	PF3/4	35	30
WAV-202L	20/15A	SU	PF3/4	65	30
WAV-203	20/15A	RPB	PF3/4	35	40
WAV-204	15A	PT1/2	PF3/4	35	30
	20/15A	PT3/4	PF3/4	35	30
WAV-205L	20/15A	RPB(Emission)	PF3/4	65	30
WAV-301	15A	RPB	PF3/4	50	70
	20/15A	RPB	PF3/4	65	75
WAV-402	15A	SU	PT1/2	30	30
	20/15A	SU	PT1/2	30	30
	20A	SU	PT3/4	35	35
WAV-502	15A	SU	SU	35	30
	20/15A	SU	SU	30	30
	20A	SU	SU	30	30

Auto Air Vent For Water (KS B 2373)



Feature

- It has energy consumption reduction effect and pipe life extension effect as smooth circulation of water and increase of thermal efficiency thanks to it emits the air in the pipe automatically.
- It prevents reverse inflow of external air through Air vent in case of fluid's pressure declining by built in check function.
- Body has strong corrosion resistance as it is made with Brass forge welding and casting and outward appearance has no corrosion and has beautiful appearance with nickel, chrome plating.

Specification

Model	AAV-100	
Applied Fluid	Cold and hot water	
Applied Pressure	MAX 1MPa	
Applied Temperature	100°C	
Water Pressure Test	1.75MPa	
Main Material	BODY	BRASS
	CAP	BRASS
	SPINDLE	P.P
	HANDLE	ABS

Air emissions

Applied Pressure N/mm ² (Kgf/cm ²)	0,15 (1,5)	0,29 (3,0)	0,49 (5,0)	0,67 (7,0)	0,98 (10,0)
Minimum Emissions m ³ /h	1,5	2,1	2,8	3,5	4,6

Installation Method

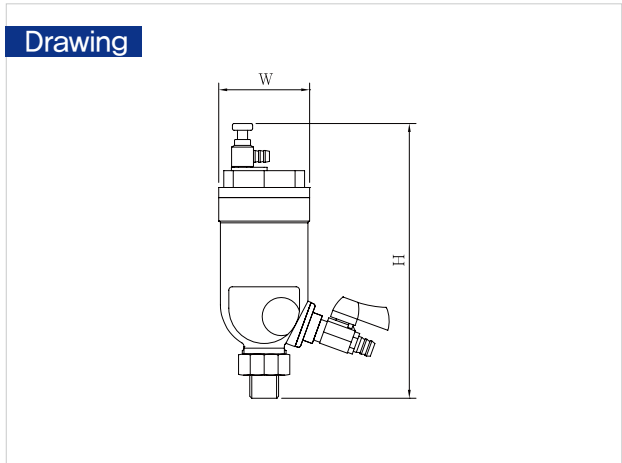
- It should be installed vertically for plumbing. (Within $\pm 5^\circ$)
- Due to Automatic air vent system in piping properties, little of water can be fallen in a moment at the time of air emitting, so safe pipe inducement with hose is needed.
- As entering between the air vent system and ball valve is easy, so please do not damage the packing with using excessive force
- Do not reassemble after disassembling.

Dimension

Model	AAV-100	Filter drain valve
Height	115	175(200)
Width	54	120(150)

Three One Air Vent

Strainer embedded type



Feature

- As Strainer, ball valve and manual drain are unified, it is easy to construct and is economical with reduce labor cost.
- Fault factors caused by several connection parts were eliminated, and with attaching manual drain, it is easy to remove foreign object in screen and it reduces discomfort of constructing separate drain.
- Frequent defect factors can be eliminated perfectly by utility model registration and registration of design.
- To make attach and remove of air vent system in piping easy, it was treated as connection union and it makes easy construction and easy to replace in case of fault occurrences.

Installation Method

- It should be installed vertically for plumbing. (Within $\pm 5^\circ$)
- Due to Automatic air vent system in piping properties, little of water can be fallen in a moment at the time of air emitting, so safe pipe inducement with hose is needed.
- As entering between the air vent system and ball valve is easy, so please do not damage the packing with using excessive force
- Do not reassemble after disassembling.

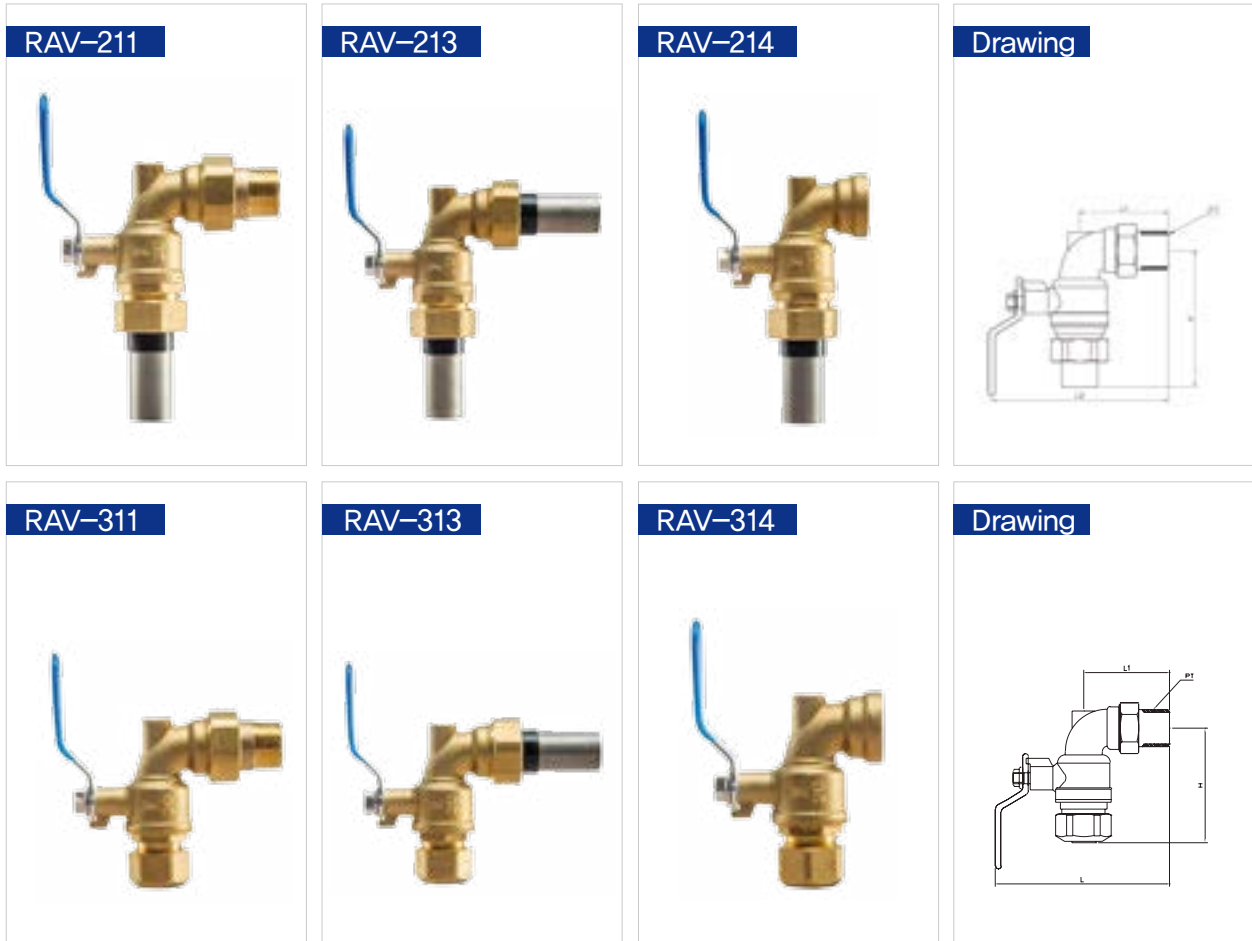
Specification

Model	TAV-100 TAV-300 TAV-400	TAV-300(20k)	
Applied Fluid	Cold and hot water	Cold and hot water	
Applied Pressure	MAX 1MPa	MAX 1.96MPa	
Applied Temperature	100°C	100°C	
Water Pressure Test	1.75MPa	3MPa	
Main Material	BODY	BRASS	BRASS
	SCREEN	STS 304	STS 304
	COVER	BRASS	BRASS
	FLOAT	P.P	P.P

Dimension

Model	TAV-100	TAV-300	TAV-400	TAV-300(20k)
Height	145	205	Length Control	250
Width	54	54	54	80

Right Angle Ball Valve



Feature

- Ball valve and union elbow are unified as it is excellent with secure the installation space and usability.
- It is easy for maintenance due to simple installation and disassemble with union type.
- With left and right multiple use handle, it can be used without caring direction.
- It is easy to install sensor pocket.
- With unification of SU pipe plumbing, connection part can be minimized.
- For prevent freeze and burst in the winter, adjust the valve handle as 45° after water dumping.
- No need to use extra support sleeve.

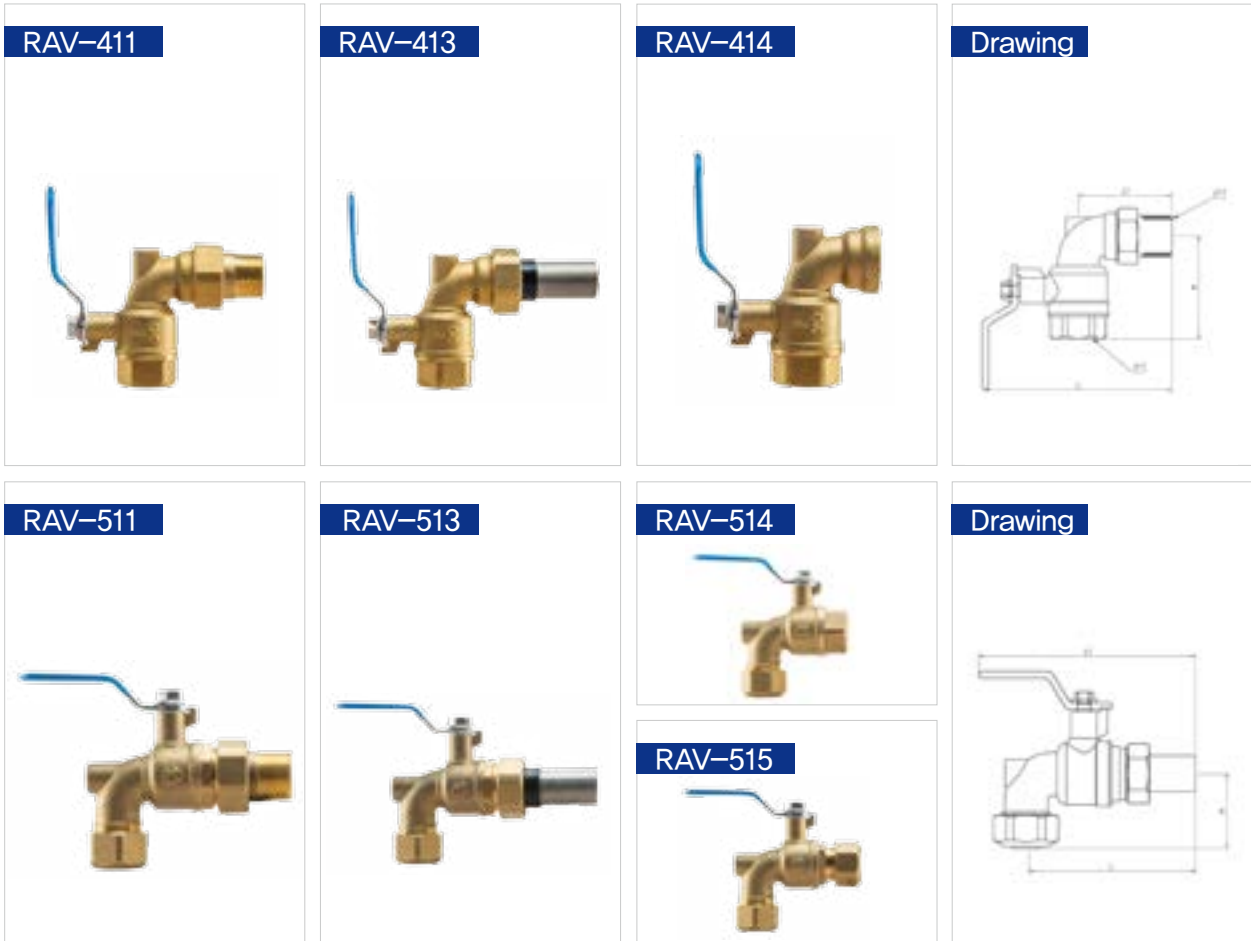
Dimension

Model	SIZE	L	L1	H	PT
RAV-211	15A	110	50	Possible to length control	1/2
	20A	115	65		3/4
	25A	130	80		1
RAV-213	15A	Possible to length control	Possible to length control	Possible to length control	-
	20A				-
	25A				-
RAV-214	15A	85	30	Possible to length control	1/2
	20A	90	35		3/4
	25A	105	40		1

Specification

Model		RAV-211, RAV-213, RAV-214, RAV-311, RAV-313, RAV-314
Applied Fluid		WATER
Applied Pressure		MAX 1 MPa
Applied Temperature		MAX 100°C
Pressure Test		3 MPa
Main Material	BODY	CAST BRASS
	COVER	FORGED BRASS
	BALL	FORGED BRASS
	SEAT	TEFLON
	STEM	BRASS

Model	SIZE	L	L1	H	PT
RAV-311	15A	110	50	65	1/2
	20A	115	65	75	3/4
	25A	130	80	90	1
RAV-313	15A	Possible to length control	Possible to length control	65	-
	20A			75	
	25A			90	
RAV-314	15A	85	30	65	1/2
	20A	90	35	75	3/4
	25A	105	40	90	1



■ Feature

- Ball valve and union elbow are unified as it is excellent with secure the installation space and usability.
- It is easy for maintenance due to simple installation and disassemble with union type.
- With left and right multiple use handle, it can be used without caring direction.
- It is easy to install sensor pocket.
- Copper pipe and stainless pipe are unified as it can minimize connection parts.
- For prevent freeze and burst in the winter, adjust the valve handle as 45° after water dumping.
- No need to use extra support sleeve.

■ Dimension

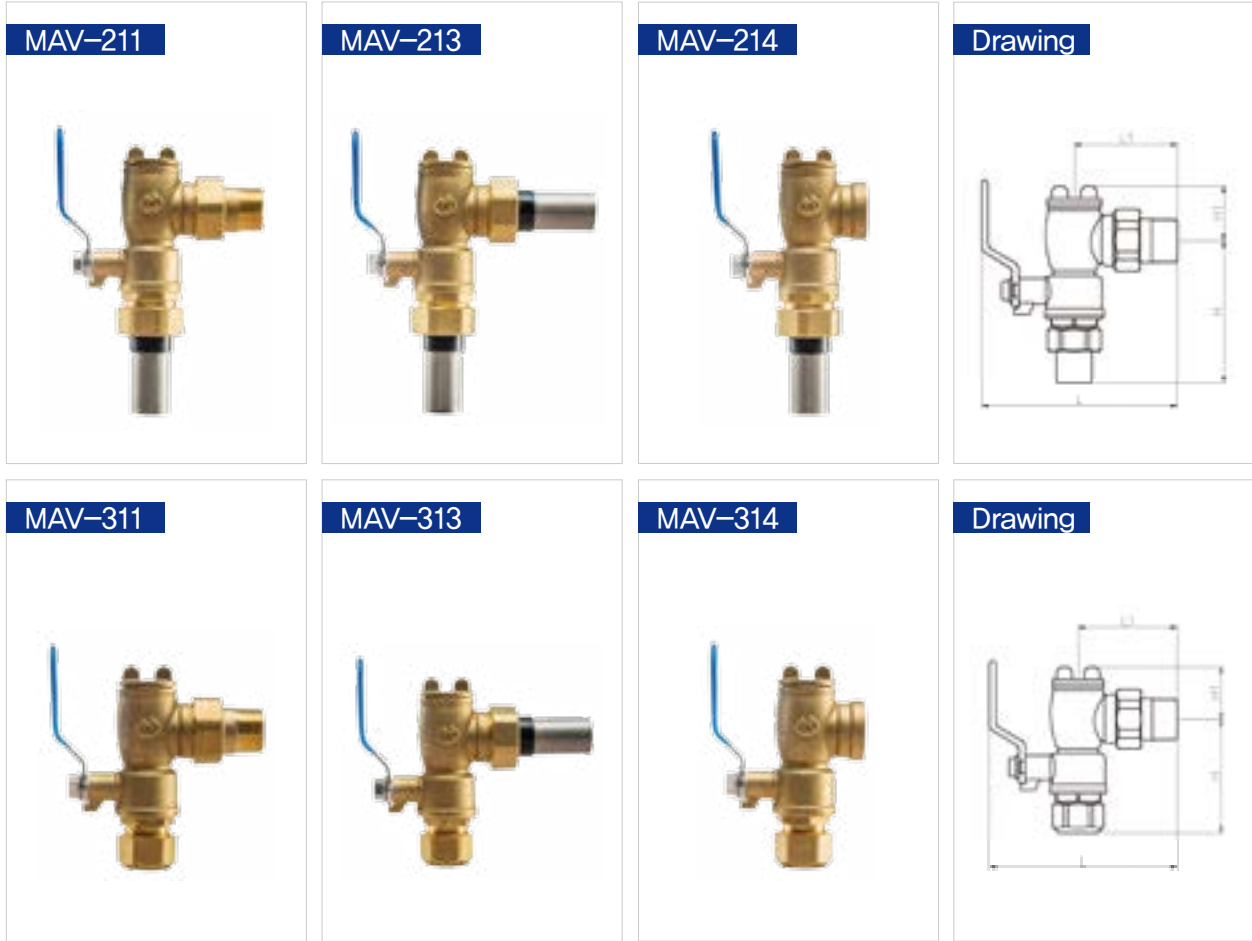
Model	SIZE	L	L1	H	PT
RAV-411	15A	110	50	60	1/2
	20A	115	65	65	3/4
	25A	130	80	90	1
RAV-413	15A	Possible to length control		60	1/2
	20A			65	3/4
	25A			90	1
RAV-414	15A	85	30	60	1/2
	20A	90	35	65	3/4
	25A	105	40	90	1

■ Specification

Model	RAV-411, RAV-413, RAV-414, RAV-511, RAV-513, RAV-514, RAV-515	
Applied Fluid	WATER	
Applied Pressure	MAX 1 MPa	
Applied Temperature	MAX 100°C	
Pressure Test	3 MPa	
Main Material	BODY	CAST BRASS
	COVER	FORGED BRASS
	BALL	FORGED BRASS
	SEAT	TEFLON
	STEM	BRASS

Model	SIZE	L	L2	H	PT
RAV-511	20A	100	135	45	3/4
	25A	115	150	55	1
RAV-513	20A	Possible to length control		45	-
	25A			55	
RAV-514	20A	65	100	45	3/4
	25A	80	115	55	1
RAV-515	20A	80	115	45	-
	25A	95	130	55	

Multi Angle Ball Valve



Feature

- Angle type ball valve and strainer are unified as it is excellent with secure the installation space and usability.
- It is easy for maintenance due to simple installation and disassemble with union type.
- With left and right multiple use handle, it can be used without caring direction.
- It is easy to install sensor pocket.
- Screen is suitable for LH specifications.
- For prevent freeze and burst in the winter, adjust the valve handle as 45° after water dumping.
- No need to use extra support sleeve.

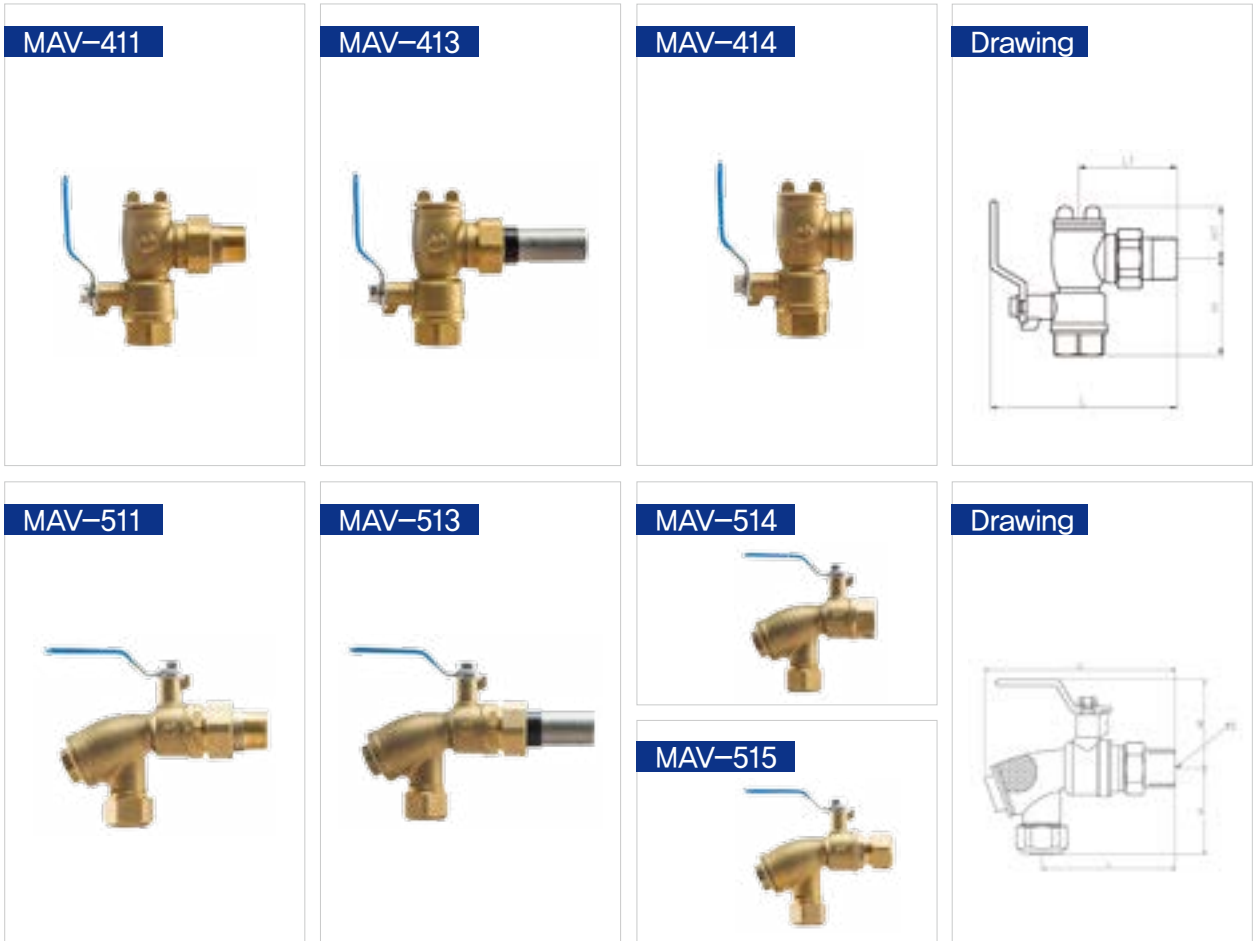
Dimension

Model	SIZE	L	L1	H	H1	PT
MAV-211	20A	140	90	Possible to length control	50	3/4
	25A	170	120		45	1
MAV-213	20A	Possible to length control			50	-
	25A				45	
MAV-214	20A	115	65	50	3/4	
	25A	170	120	45	1	

Specification

Model		MAV-211, MAV-213, MAV-214, MAV-311, MAV-313, MAV-314
Applied Fluid		WATER
Applied Pressure		MAX 1 MPa
Applied Temperature		MAX 100°C
Pressure Test		3 MPa
Main Material	BODY	CAST BRASS
	COVER	FORGED BRASS
	BALL	FORGED BRASS
	SEAT	TEFLON
	STEM	BRASS
	SCREEN	STS 304

Model	SIZE	L	L1	H	H1	PT
MAV-311	20A	140	90	75	50	3/4
	25A	170	120	105	45	1
MAV-313	20A	Possible to length control		70	50	-
	25A			105	45	-
MAV-314	20A	115	65	75	50	3/4
	25A	170	120	105	45	1



■ Feature

- Angle type ball valve and strainer are unified as it is excellent with secure the installation space and usability.
- It is easy for maintenance due to simple installation and disassemble with union type.
- With left and right multiple use handle, it can be used without caring direction.
- It is easy to install sensor pocket.
- Screen is suitable for LH specifications.
- For prevent freeze and burst in the winter, adjust the valve handle as 45° after water dumping.
- No need to use extra support sleeve.

■ Dimension

Model	SIZE	L	L1	H	H1	PT
MAV-411	20A	140	90	65	50	3/4
	25A	170	120	90	45	1
MAV-413	20A	Possible to length control		65	50	-
	25A			90	45	-
MAV-414	20A	115	65	65	50	3/4
	25A	170	120	90	45	1

■ Specification

Model	MAV-411, MAV-413, MAV-414, MAV-511, MAV-513, MAV-514, MAV-515	
Applied Fluid	WATER	
Applied Pressure	MAX 1 MPa	
Applied Temperature	MAX 100°C	
Pressure Test	3 MPa	
Main Material	BODY	CAST BRASS
	COVER	FORGED BRASS
	BALL	FORGED BRASS
	SEAT	TEFLON
	STEM	BRASS
	SCREEN	STS 304

Model	SIZE	L	L1	H	H1	PT
MAV-511	20A	95	135	60	60	3/4
	25A	110	155	70	65	1
MAV-513	20A	Possible to length control		60	60	-
	25A			70	65	-
MAV-514	20A	60	100	60	60	3/4
	25A	75	120	70	65	1
MAV-515	20A	75	115	60	60	-
	25A	90	135	70	65	-

Union Elbow



■ Feature

- It is easy for maintenance due to simple installation and disassemble with union type.
- It is easy to install sensor pocket.
- Copper pipe and stainless pipe are unified as it can minimize connection parts.
- It is possible to manufacture diversely under the field circumstance.
- It is suitable for installing of curve pipe with ring joint type.
- No need to use extra support sleeve.

■ Dimension

Model	SIZE	L	H	PT
SUE-201	15A	60	Possible to length control	1/2
	20A	65		3/4
	25A	85		1
SUE-203	15A	Possible to length control	Possible to length control	—
	20A			—
	25A			—
SUE-204	15A	35	Possible to length control	1/2
	20A	40		3/4
	25A	55		1
SUE-301	15A	60	35	PT 1/2
	20A	65	45	PT 3/4
	25A	80	45	PT 1
SUE-303	15A	Possible to length control	35	—
	20A		Possible	—
	25A		45	—

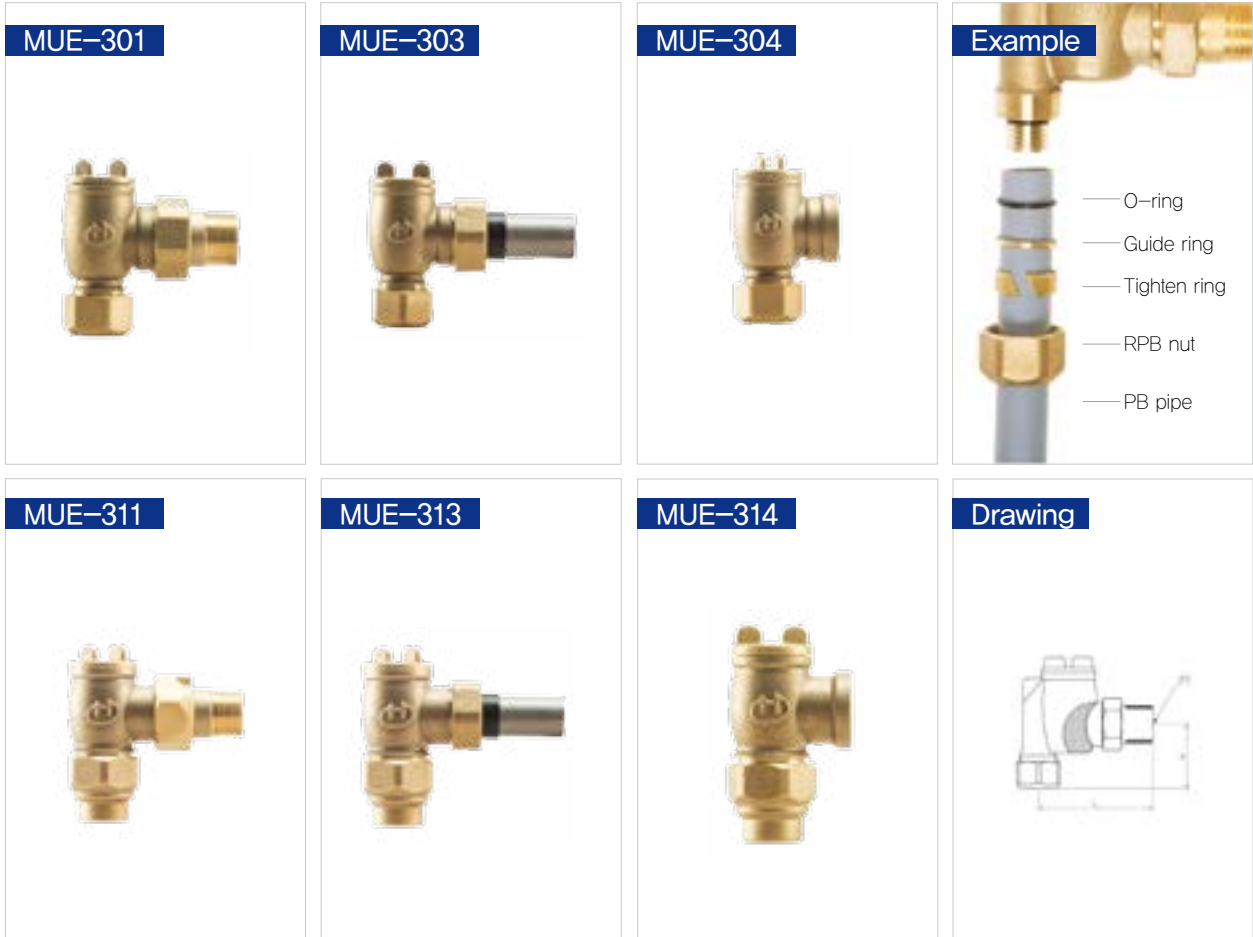
■ Specification

Model	SUE-201, SUE-203, SUE-204, SUE-301, SUE-303, SUE-304, SUE-305	
Applied Fluid	WATER	
Applied Pressure	MAX 1 MPa	
Applied Temperature	MAX 100°C	
Pressure Test	2 MPa	
Main Material	BODY	CAST BRASS
	NUT	BRASS

Model	SIZE	L	H	Screw
SUE-304	15A	35	40	PT 1/2
	20A	35	45	PT 3/4
	25A	40	45	PT 1
SUE-305L	20A	125	40	PF 1
SUE-305	15A	35	35	PF 3/4
	20/15A	40	40	PF 3/4
	20A	40	40	PF 1
SUE-305N	15A	65	35	PT 1/2
	20A	70	40	PT 3/4
	25A	80	40	PT 1

Multi Union Elbow

Hand strainer assembled type



Feature

- Union elbow and strainer are unified.
- It is easy for maintenance due to simple installation and disassemble with union type.
- It is easy to install sensor pocket.
- Screen is suitable for LH specifications.
- It is suitable for curve plumbing installation with ring joint type.
- No need to use extra support sleeve.
- Ball valve and union elbow are unified as it is excellent with secure the installation space and usability.
- With condition of form the right angle, it must be inserted to the end at the pipe connection tie hole.
- It can be maintained with coherence power of fastener ring and nut so that it must be fasten strongly with fixturing.

Dimension

Model	SIZE	L	H	PT
MUE-301	20A	85	Possible to length control	3/4
	25A	110		1
MUE-303	20A	Possible to length control		—
	25A			—
MUE-304	20A	85	3/4	
	25A	110	1	

Specification

Model	MUE-301, MUE-303, MUE-304 MUE-311, MUE-313, MUE-314	
Applied Fluid	WATER	
Applied Pressure	MAX 1 MPa	
Applied Temperature	MAX 100°C	
Pressure Test	2 MPa	
Main Material	BODY	CAST BRASS
	NUT	FORGED BRASS
	SCREEN	STS 304

Model	SIZE	L	H	PT
MUE-311	20A	90	45	3/4
	25A	110	55	1
MUE-313	20A	Possible to length control	45	—
	25A		55	—
MUE-314	20A	60	45	3/4
	25A	110	55	1

Water Hammer Arrester

Nitrogen gas rechargeable type



Feature

- It eliminated the disadvantage of existing welding ways by developing no welding method.
- As product had not been applied the heat so it prevents the hot creep of components and it reinforces the durability of components.
- It is suitable for drinking water standard by acquiring the Sanitary safety standards certificate. (Adapler Ni-Cr plating)
- It possesses inspection and examine equipment completely for charged pressure and leakage test and the result of inspection can be printed as computer graph.
- Unification of Pipe-attached angle valve and connection components makes it easy to work in the narrow space.

Specification

Model	SHW-AA, SHW-A, SHW-B, SHW-C	
Applied Fluid	Water	
Applied Pressure	MAX, 1935 kPa	
Applied Temperature	MAX, 120°C	
Nitrogen Rechargeable Pressure	414 KPa	
Main Material	BODY	COPPER, COPPER(Ni-Cr Plating)
	PISTON	P,P
	O-RING	E, P, D, M.
	ADAPTER	BRASS (Ni-Cr Plating)

Dimension

Model	SIZE	A(mm)	B(mm)	C	Volume	Application Water supply fixture unit
SHW-AA	15A	148	22.2	1/2"	35	Below 4
SHW-A	15A	168	34.9	1/2"	116	Below 4~12
SHW-B	20A	228	34.9	3/4"	132	Below 12~33
SHW-C	25A	308	34.9	1"	208	Below 33~61

SAV-101



SAV-102



SAV-201



SAV-202



■ Fixture Unit

Fixture	Supply format	Fixture Unit					
		Total	Water supply	Water heater	Total	Water supply	Water heater
Closet bowl	Flush valve	10	10	-	6	6	-
Closet bowl	Flush valve	5	5	-	3	3	-
Urinal	Flush valve	10	10	-	-	-	-
Wall urinal	Flush valve	5	5	-	-	-	-
Lavatory faucet	2	1.5	1.5	1	1	1	-
Bathtub faucet	4	3	3	2	1.5	1.5	-
Shower head mixture faucet	4	3	3	2	1	2	-
Bathroom flush valve	-	-	-	8	8	3	-
Bathroom flush tank	-	-	-	6	6	3	-
Shower mixture faucet	-	-	-	2	1	2	-
Dishwashing machine	Solenoid valve	-	-	-	1.4	-	1.4
Kitchen	Sink faucet	3	3	3	-	-	-
Washing machine	Faucet	-	-	-	3	3	3
Combination fixture	Faucet	-	-	-	3	3	3

※What is Fixture Unit?

It is a number that dividing fixture unit of every kind of supply fittings by pre-set standard flux and it had been made as data through long study and experiment result of PDI. That is, the number which indicate how manifold it is with compare of using washbowl in condition of 1Kg/cm² water pressure.

■ Drawing

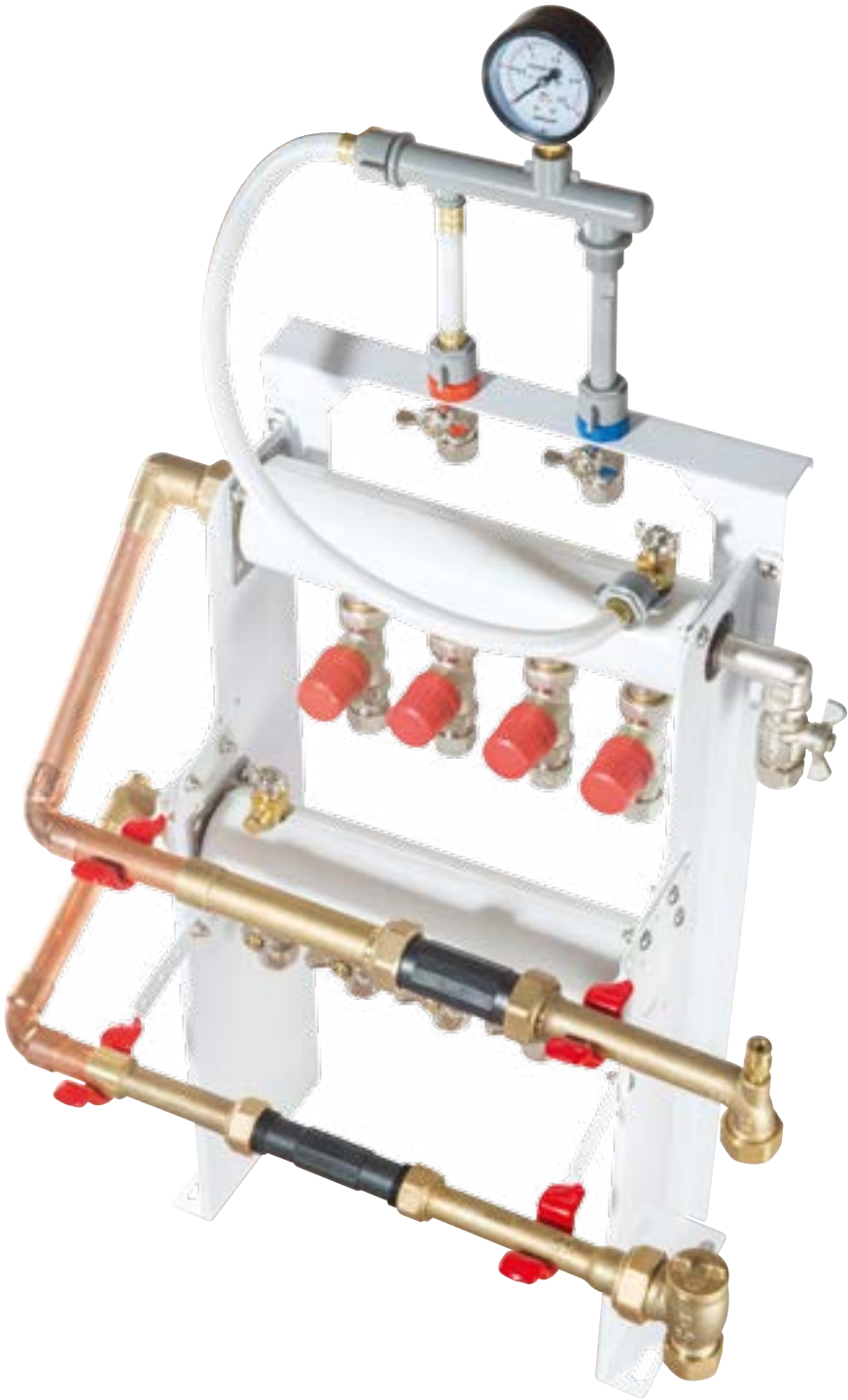


■ Dimension

Model	SIZE	A	B	C
SAV-101	15A	25	-	-
SAV-102	15A	65(95)	-	40(70)
SAV-201	15A	55	20	-
SAV-202	15A	95(125)	60(90)	40(70)

System Header For Water

Applied Plumbing for LH Work





■ Feature

- It reduces the risk of defect by minimizing many welding parts.
- It is possible to utilize diversely under the field circumstance.
- It is possible to reduce labor costs by convenient installation.

■ Dimension

- Custom-made by the specifications of orderer.

■ Specification

Model	SHB-101, SHB-103, SHB-401, SHB-403, SHB-501, SHB-503, SHB-504, SHB-505	
Applied Fluid	Cold and hot water	
Applied Pressure	1.5 MPa	
Applied Temperature	MAX 100°C	
Pressure Test	3MPa	
Main Material	Connecting parts	BRASS
	BODY	COPPER

Studio Apartment Model



■ Feature

- It is a product that can be installed at studio apartment instead of heating distributor and it is easy to work in the narrow space and easy to construct so that the labor costs and materials cost can be reduced.
- It is possible to utilize diversely under the field circumstance.

Multi Water Meter System



■ Product Explanation

- Multi water meter system is a product that was designed as easy to replace after construction and as easy to install and fix of meter box to reduce cost through unifies standardized meter units in the protect box.

■ Dimension



Model	SIZE (L) x (W) x (H)
MMS-100	440 x 250 x 200
MMS-200	440 x 250 x 175
MMS-300	550 x 250 x 200

■ Feature

- It is possible to reduce labor costs by convenient installation.
- It minimizes a defect factor by connecting part
- It eliminates the inconvenience of installation and repair by division of protection box.
- It is easy to check pressure as water pressure test.
- Lagging materials are optional.

■ Specification

Model		15A 20A
Applied fluid		Cold, Hot water
Applied Pressure		MAX – 1MPa
Main Material	Protection box	ABS
	Connection part	PB, Copper pipe, Stainless pipe
	Water pressure connecting strands	Nylon +G/F 30%
	Elbow, Socket type	BRASS

Plumbing Sleeve Fixed Board And Fixed Plate

■ Product Explanation

- It is a product that fixes the CD pipe at the desired location by pre-construct for set the meter pipe location more correctly in case of meter pipe places at the low plumbing.

■ Product Picture



Plumbing sleeve fixed board



Installation Example



Steel plate product

Multi Sink Header



■ Feature

- It makes to use space under sink maximally
- It reduces the risk of defect by minimizing connecting parts.
- It is possible to reduce labor costs and time by convenient installation.

■ Dimension

Model	L	L1	H	H1
MSH-100	110	35	50	25
MSH-200	120	40	55	25

■ Specification

Model		MSH-100 MSH-200
Applied Fluid		Cold and hot water
Applied Pressure		1.5 MPa
Applied Temperature		100°C
Pressure Test		3 MPa
Main Material	BODY	Brass (Ni-cr Plating)
	COVER	Brass (Ni-cr Plating)

Water Sink Valve



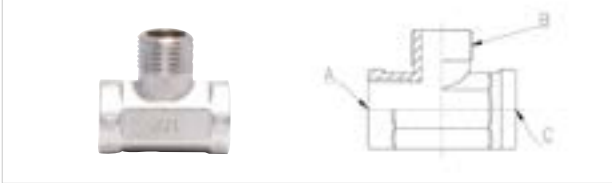
Installation Method

- With condition of form the right angle, it must be inserted to the end at the pipe connection tie hole.
- It can be maintained with coherence power of fastener ring and nut so that it must be fasten strongly with fixturing.
- Stopper of screw part is temporary water pressure stopper so that it must not be used as other use.

Sink Header



F x M x F TEE



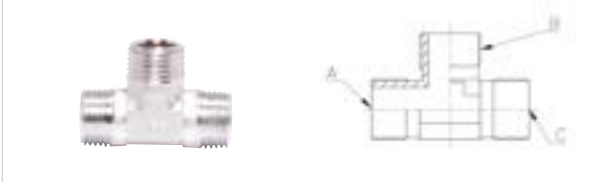
SIZE	A	B	C
15A	PT 1/2	PF 1/2	PT 1/2

M x F x F TEE



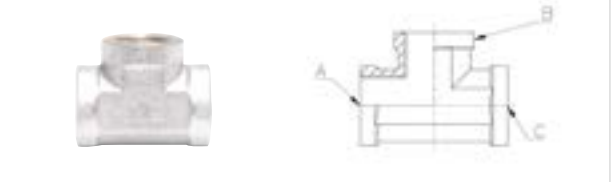
SIZE	A	B	C
15A	PF 1/2	PT 1/2	PT 1/2

M x M x M TEE



SIZE	A	B	C
15A	PT 1/2	PT 1/2	PT 1/2

F x F x F TEE



SIZE	A	B	C
15A	PT 1/2	PT 1/2	PT 1/2

Service Socket

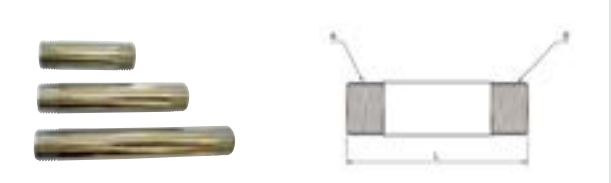


M x M x M TEE



SIZE	A	B	L
15A	PT 1/2	PT 1/2	Custom-made

F x F x F TEE



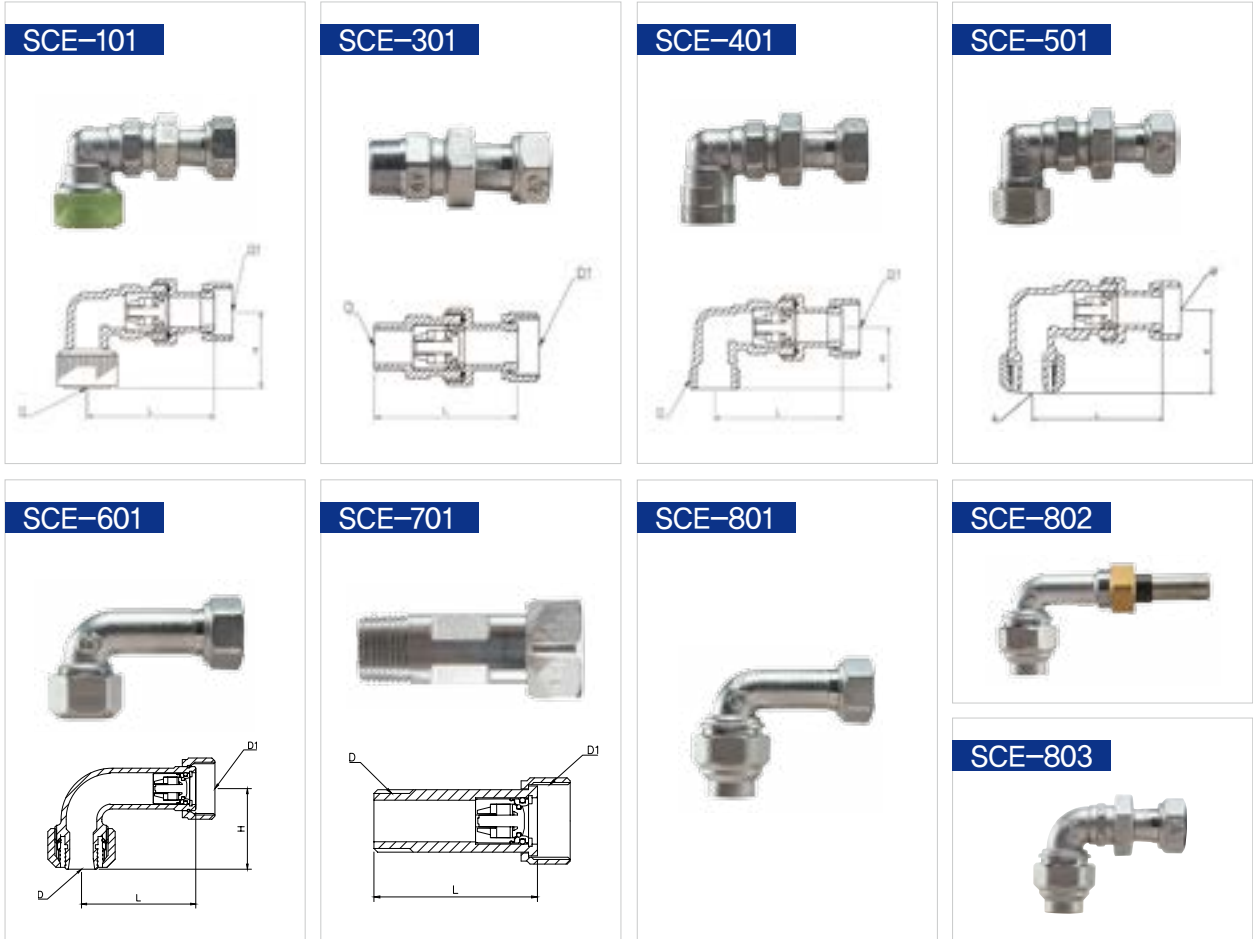
SIZE	A	B	L
15A	PT 1/2	PT 1/2	Custom-made

Ring Joint Adapter



Product	15A	20A	20/15A	25A
Ring joint adapter (M)	PT 1/2	PT 3/4	PT 1/2	PT 1
Ring joint adapter (F)	PT 1/2	PT 3/4	-	PT 1
Ring joint union adapter (M)	PT 1/2	PT 3/4	-	-

Anti-Reverse Valve For Water Supply



Feature

- Elbow and check (anti-reverse valve) are unified.
- It reduces the risk of defect by minimizing connecting parts.
- It is designed to maximize the small space.
- It is easy to work as connecting parts are unified.
- It has good durability and corrosion resistance and it is harmless to human body as it is fit to hygiene safety standard.
- Anti-reverse function is excellent with double cartridges.

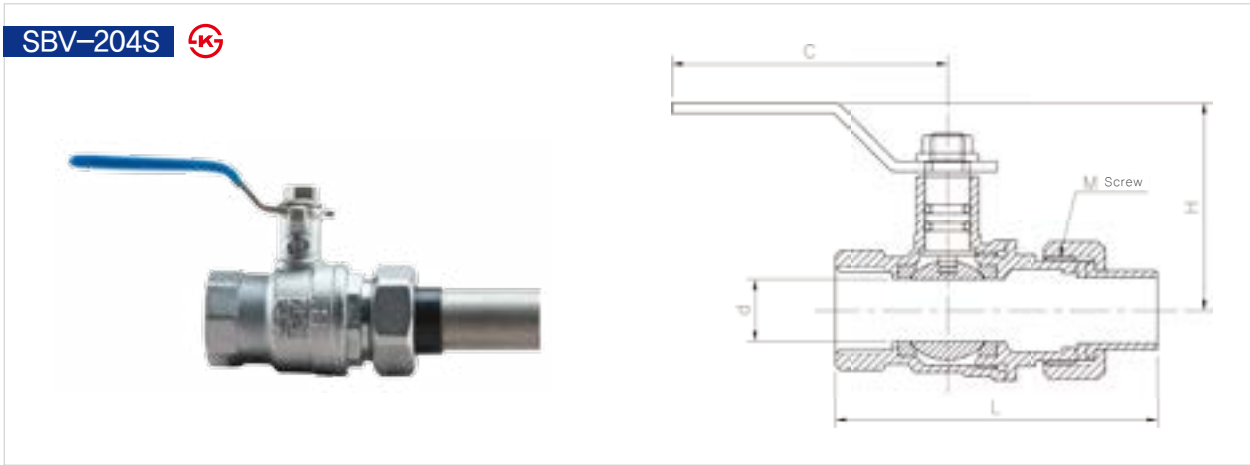
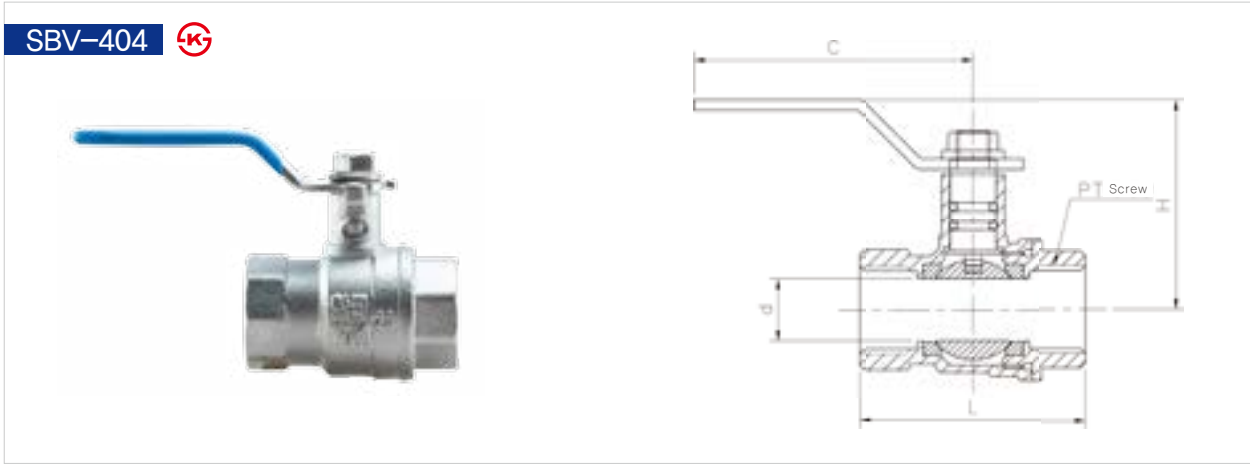
Specification

Model	SCE-101, SCE-201, SCE-301, SCE-401	
Applied Fluid	Cold and hot water	
Applied Pressure	0.75 MPa	
Maximum Allowable Pressure	Max, 1MPa	
Applied Temperature	Max 80°C	
Connection Method	Taper pipe thread, PB, copper pipe	
Main Material	BODY	CAC 803
	UNION NUT	CAC 803
	SPRING	STS 304
	CARTRIDGE	POM(Polyacetal)
	O-RING	EPDM

Dimension

Model	SIZE	L	H	D	D1
SCE-101	15A	65	30	PB	PF3/4
	20A	70	45	PB	PF1
SCE-301	15A	65	-	PT1/2	PF3/4
	20A	75	-	PT3/4	PF1
SCE-401	15A	65	30	PF3/4	PF3/4
	20A	70	40	PF1	PF1
SCE-501	15A	65	30	PB	PF3/4
	20A	70	40	PB	PF1
SCE-601	20/15A	55	35	PB	PF3/4
SCE-701	15A	55	-	PT1/2	PF3/4
SCE-801	20/15A	55	40	PB	PF3/4
SCE-802	20/15A	-	40	PB	PF3/4
SCE-803	20/15A	65	40	PB	PF3/4

Ball Valve 10K 20K



Feature

- It is easy to install lagging materials by lengthening stem.
- It secures enough flow with full bore.
- With Ni-Cr plating treatment, has beautiful appearance and can be used for pipe of drinking water.

Specification

Model	Screw Type	SU
Applied Fluid	Cold and hot water for water pipe	
Applied Pressure	0.98 MPa	
Pressure Test	2.94 MPa	
Tightness Test	1.76 MPa	
Main Material	BODY	CAST BRASS
	COVER	CAST BRASS
	BALL	BRASS
	SEAT	TEFLON
	STEM	BRASS

Dimension

Kind	Title	L	H	C	d	Screw
SBV-404	15	54.5	53.5	68	15	PT 1/2
	20	63.5	57	85	20	PT 3/4
	25	76	66.5	105	25	PT 1
	32	85.5	77	115	32	PT 1 1/4
	40	97	93	145	40	PT 1 1/2
	50	113	100	145	50	PT 2
SBV-204S	65	145	135	190	65	PT 2 1/2
	15	Possible to length control	53.5	68	15	M26X1.5P
	20		57	85	20	M32X1.5P
	25		66.5	105	25	M38X1.5P
	32		77	115	32	M48X1.5P
	40		93	145	40	M56X1.5P
50	100		145	50	M68X2.0P	
65	135	190	65	M75X2.0P		

SU Ball Valve 10K 20K



■ Feature

- With SU pipe assembled valve, can be easily attached to stainless pipe.
- It is possible to adjust length under the field circumstance.
- It is easy to install with unification of SU joint components.

■ Specification

Model	SU Ball Valve	SU Joint Ball Valve
Use	Cold and hot water for water pipe	
Applied Pressure	0.98 MPa	
Pressure Test	2.94 MPa	
Tightness Test	1.76 MPa	
Main Material	BODY	CAST BRASS
	COVER	CAST BRASS
	BALL	BRASS
	SEAT	TEFLON
	STEM	BRASS

■ Dimension

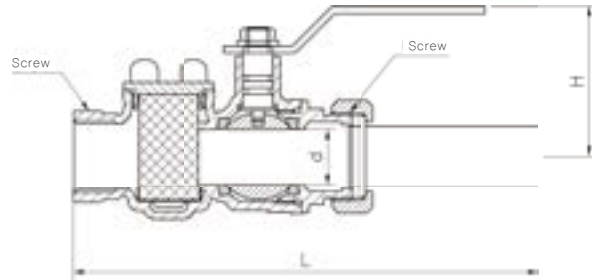
Kind	Title	L	H	C	d	Screw
SBV-504	15	105	53,5	68	10	M26X1,5P
	20	115	57	85	15	M32X1,5P
	25	125	66,5	105	20	M38X1,5P
	32	145	77	115	32	M48X1,5P
	40	170	93	145	40	M56X1,5P
	50	185	100	145	50	M62X2,0P
	65	225	135	190	65	M75X2,0P
SBV-203S	15	-	53,5	68	10	M26X1,5P
	20	-	57	85	15	M32X1,5P
	25	-	66,5	105	20	M38X1,5P

Multi SU Ball Valve

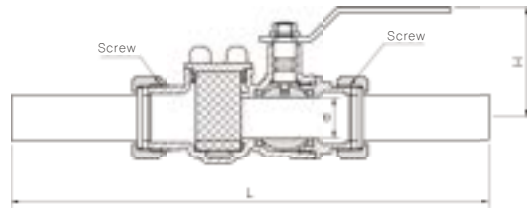
Strainer embedded type



MBV-204



MBV-203S



Feature

- With SU pipe assembled valve, can be easily attached to stainless pipe.
- Ball valve and strainer are unified as it is excellent with secure the installation space and usability.
- It is easy to install lagging materials by lengthening stem.
- Strainer is 40 mesh.

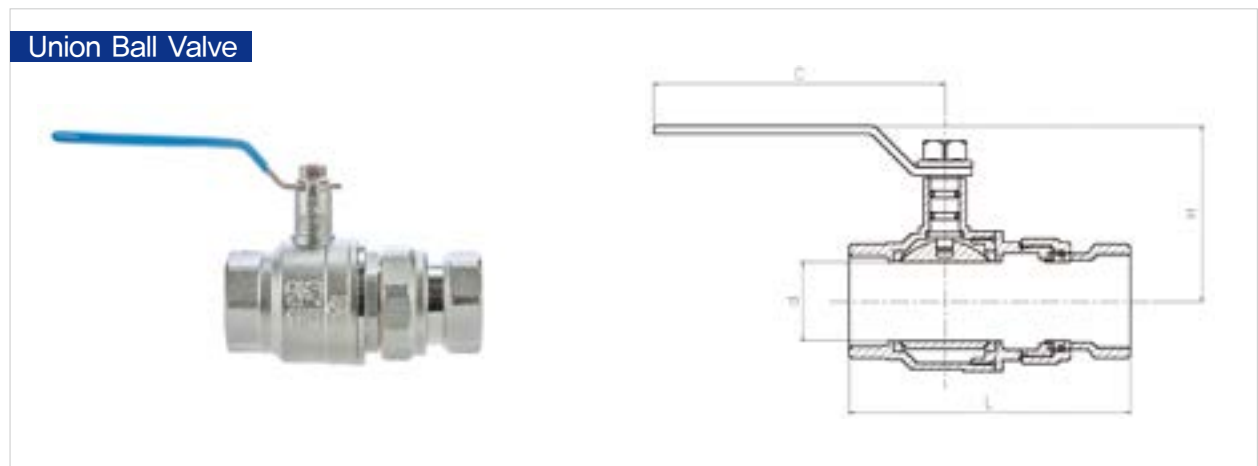
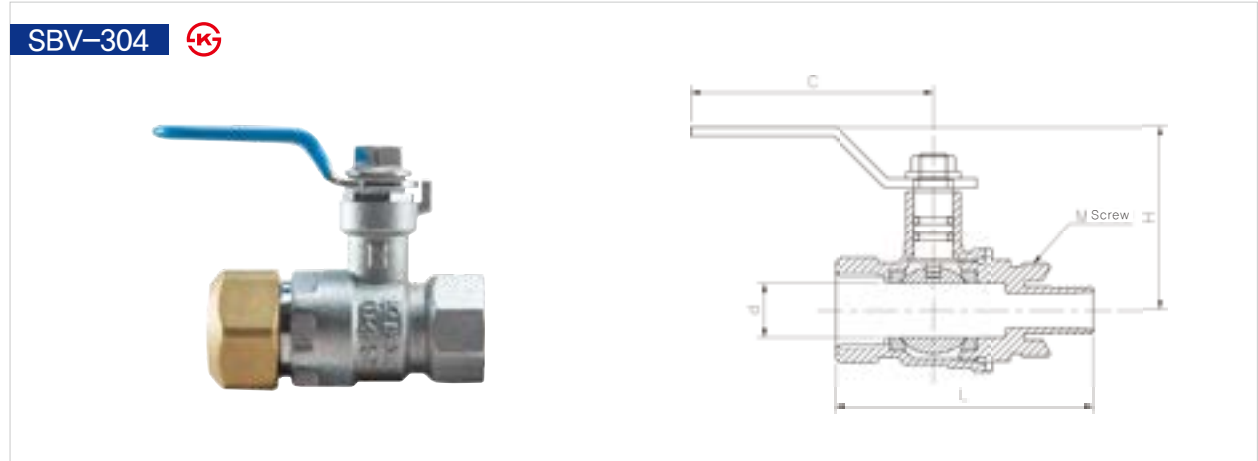
Specification

Model	Multi SU Ball Valve	
Applied Fluid	Cold and hot water for water pipe	
Applied Pressure	0.98 MPa	
Pressure Test	2.94 MPa	
Tightness Test	1.76 MPa	
Main Material	BODY	CAST BRASS
	COVER	CAST BRASS
	BALL	BRASS
	SEAT	TEFLON
	STEM	BRASS
	SCREEN	STS304

Dimension

Kind	Title	L	H	C	d	Screw
MBV-204	15	-	50	68	15	M26X1.5P
	20	-	55	85	20	M32X1.5P
	25	-	65	105	25	M38X1.5P
MBV-203S	15	-	50	68	10	M26X1.5P
	20	-	55	85	15	M32X1.5P
	25	-	65	105	20	M38X1.5P

Union Ball Valve



■ Feature

- It is suitable for curve plumbing installation with ring joint type.
- No need to use extra support sleeve.
- With condition of form the right angle, it must be inserted to the end at the pipe connection tie hole.
- It can be maintained with coherence power of fastener ring and nut so that it must be fasten strongly with fixturing
- It is very easy to construct plumbing with union type valve.

■ Specification

Model	Ring joint ball valve	
Use	Cold and hot water for water pipe	
Applied Pressure	0.98 MPa	
Pressure Test	2.94 MPa	
Tightness Test	1.76 MPa	
Main Material	BODY	CAST BRASS
	COVER	CAST BRASS
	BALL	BRASS
	SEAT	TEFLON
	STEM	BRASS

■ Dimension

Kind	Title	L	H	C	d	Screw
SBV-304	15	67.5	50	55	10	M26X1.5P
	20	74	50	55	15	M32X1.5P
Union Ball Valve	40	145	90	145	40	PT 1 1/2
	65	195	135	190	65	PT 2 1/2

Boiler Plumping System

SBV-305



Low Valve Set(RPB)



SBV-105



Low Valve Set(PB)



Direct Wire Socket(RPB/PB)



Direct Wire Socket Set



Low Valve Set(Studio apartment model)



Installation Example



Water Pressure Header



■ Feature

- It is possible to reduce labor costs by convenient installation.
- As it uses acetal hose, it can be used for any boiler manufacturer and model type.
- Components uses for P.B connection is attached so that separate connection components are no need to be bought and also it can be reused.
- It can be used for all boilers so that it has no need to take stock as manufacturer and can be reduce the cost as reusing is available.

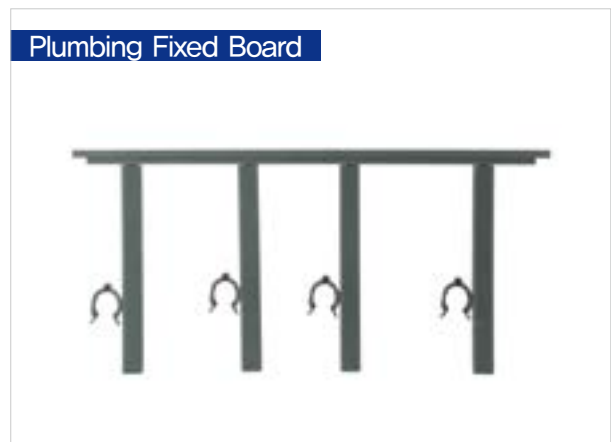
■ Installation Method

- Insert as 2 stages as adhere strongly.
- Insert support sleeve for PB plumbing.
- Be careful with external shock in case of water pressure test after plumbing.
- Do not reuse the used grab ring.

■ Socket Type



■ Plumbing Fixed Board



■ Nipple Type



Water Link

SWL-100



SWL-200



A Hydraulic Press _ District Heating Use

A Hydraulic Press (Cold Water + Hot water)



A Hydraulic Press (Cold Water+Hot water+Drain Valve)



A Hydraulic Press (Cold Water+Hot Water+Heating)



A Hydraulic Press (Cold Water+Hot Water+Heating S+Heating R)



■ Feature

- Manufactured connecting nipple to a distributor manufacturer
- It is possible to utilize diversely under the field circumstance.

Integrated Holding System

Reference Model

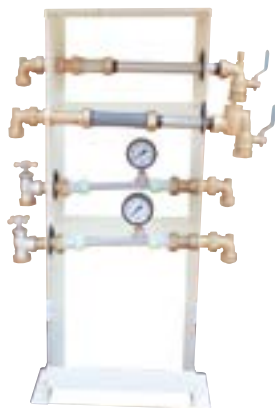


Model 1

Installation Example



Model 2



Model 3



* Hand-made manufactured Product under field Circumstance



Global Leading Company

Customer oriented / Technology first / Tailor-made
/ Going to future **Shinhung Valve**

As a valve production specialized company that creates tomorrow of 21 century, we always will be with you as produce excellent and variety products through creative product development and technology innovation.





90, Yulma-ro 211beon-gil, Gahyeon-ri, Tongjin-eup, Gimpo-si, Gyeonggi-do, Korea

TEL 031.996.2501~3

FAX 031.996.2504

E-mail 9962501@naver.com



※ Specifications of this catalog are subject to change for quality improvement and upgrade without notice.

Printed in March, 2017